



YOUR PARTNER IN VACUUM  
TECHNOLOGY



## **HERING Drying<sup>®</sup> Series** **Transformer Drying Ovens**

Hering - VPT GmbH  
[www.hering-vpt.de](http://www.hering-vpt.de)

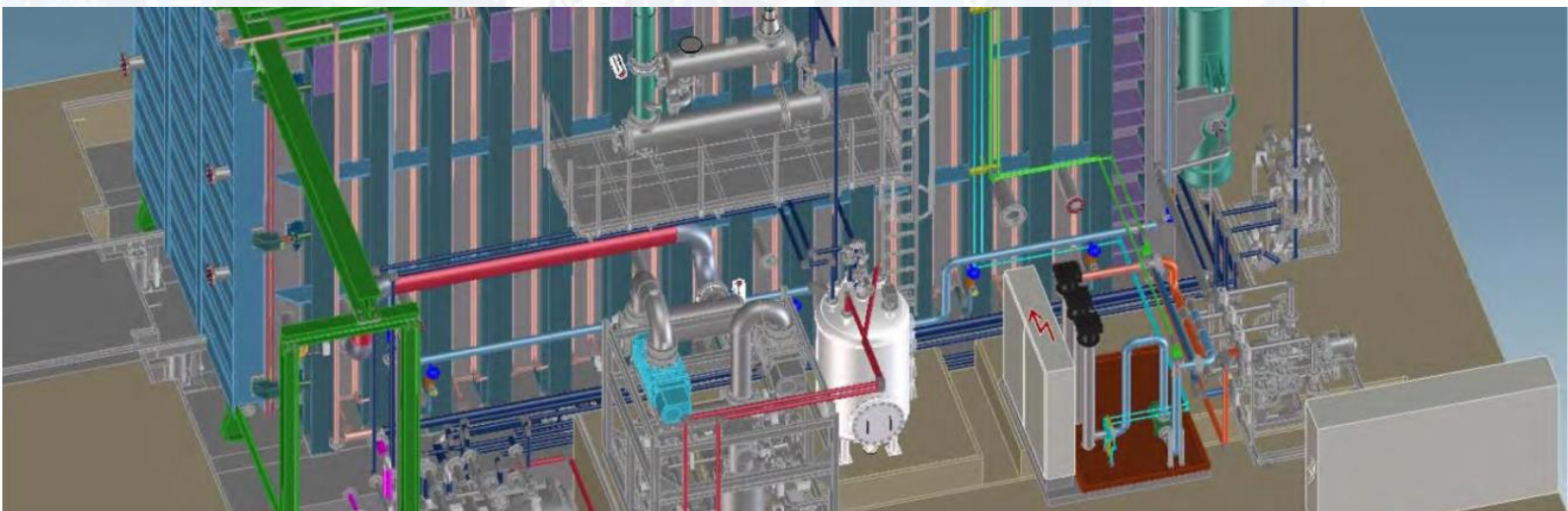
# HERING – Vacuum Process Technology

## Invaluable experience and customized solutions powered by German Engineering

HERING VPT has specialized in improving the life cycle of transformers. Already in 1909 the first HERING oil purification plant was built and gave the possibility to carry out an internal and external insulating oil treatment by the use of a vapour-oil boiler. This was the starting point for a number of inventions like Transformer Drying ovens, Impregnating Plants and other vacuum products for the transformer industry. With this **experience collected in over 100 years of successful operation**, continuous efficiency improvements of our plants are carried out.

Hering Systems are remarkable for their efficient and robust design, as well as their ease of operation and maintenance. We install **only high quality components from Germany**, respected West European brand manufacturers. Our systems are designed for **long lifetime, reliability** and effective operation. Each plant is **custom-made** and delivered with all required aggregates to leave nothing to be desired.

Together, we will develop the perfect solution for you and your company. We are looking forward to serving you!



# HERING – Vacuum Process Technology

## Plant sub modules allow for easy installation

The complete drying plants are divided in sub modules. Each module, e.g. heating station or kerosene station, is completely piped, wired and pre-tested in our workshop.

This concept convinces with a fast, easy and safe installation of the plant. Additionally, the customers have the opportunity to set up the complete plant by themselves.



Kerosene Pumping Station



Vacuum Pumping Station



Evaporator



Heating Device



Pumping Station



Filter Station

# HERING – Vacuum Process Technology

## Two drying systems fulfill different requirements

HERING offers the right equipment for every application, in order to ensure an optimal price-performance ratio. There are generally two types of systems depending on the process used:

≤ 100 MVA: **Hot-Air Drying Plant**

Easy setup

> 100 MVA **Vapor-Phase Drying Plant**

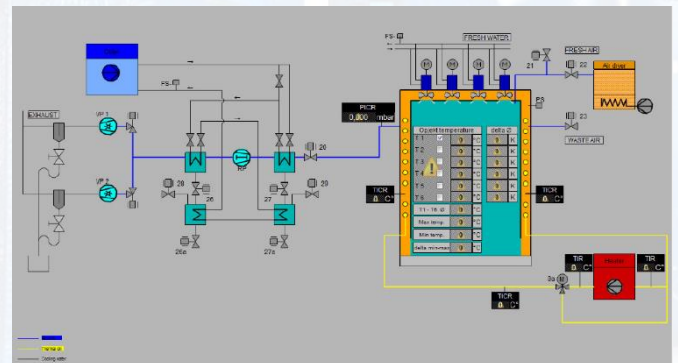
Reduced process duration

In any case, HERING will help you to choose the right process for your specific application.

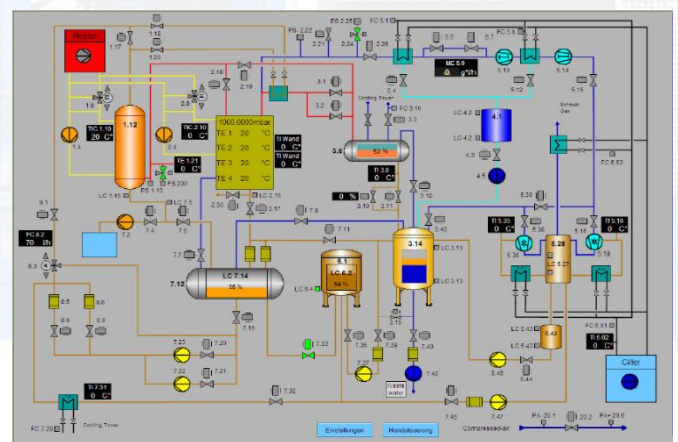
The Hot-Air Drying Plant and the Vapor-Phase Drying Plant are generally based on the same principle. Reducing the pressure leads to a lower boiling point, which causes the dissolved water in the transformer's active part to vaporize. Generally there are three steps to the process: the heating-up phase, the evacuation of the autoclave and cooling.

The two methods only differ in the heating-up phase (hot air and vapor-phase). Due to different magnitudes of heat transfer, the vapor-phase drying process allows for faster drying, whereas the hot-air process is easier to implement.

Hot Air Drying



Vapour Phase Drying



# HERING – Vacuum Process Technology

## Provides complementary training services for your benefit

HERING VPT offers its costumers in the context of the order fulfillment a **free training** for a safe operation of your plant in our company's facility. Furthermore, on costumer's demand an **on-site training** can be offered.

To ensure a proper operation of your system HERING VPT recommends an **on-site service**. This will be coordinated directly by HERING VPT and partly carried out with qualified partners.

Plants older than 30 years fall naturally under the plant service.



We are available for you **24 hours** a day, **7 days a week** in order to help you with your plant problems.

# **HERING – Vacuum Process Technology**

## **The standard in transformer oil purification and insulation treatment solutions**



**Vacuum Oil Purifying Plant**

**Transformer Oil Regeneration Systems**

**Vacuum Drying Plant**

**Bushing Dryer**

**Vacuum Pumping Station**

**Oil Storing and Filling Plant**

**Vacuum Pressure Impregnation Plant**

**Hot Oil Spraying System**



### **ADDRESS**

Hering-VPT  
D-91550 Dinkelsbühl  
Ernst-Schenk-Str.10  
Germany  
Telephone: +49 9831 8834666

Hering-VPT  
D-91710 Gunzenhausen  
Richard-Stücklen-Strasse 19  
Germany

### **Canada**

Hering-VPT,  
Suite 391, 6-425 Hespeler Road  
Cambridge N1R 8J6  
Canada  
Telephone: +1 226 221 0061

### **EMAIL**

[info@hering-vpt.de](mailto:info@hering-vpt.de)